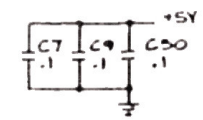


REV	DATE	BY	DESCRIPTION
1			BEE GHT

ZSC1959 FOR Q6.7
 ZSC1815 FOR Q3.4.5

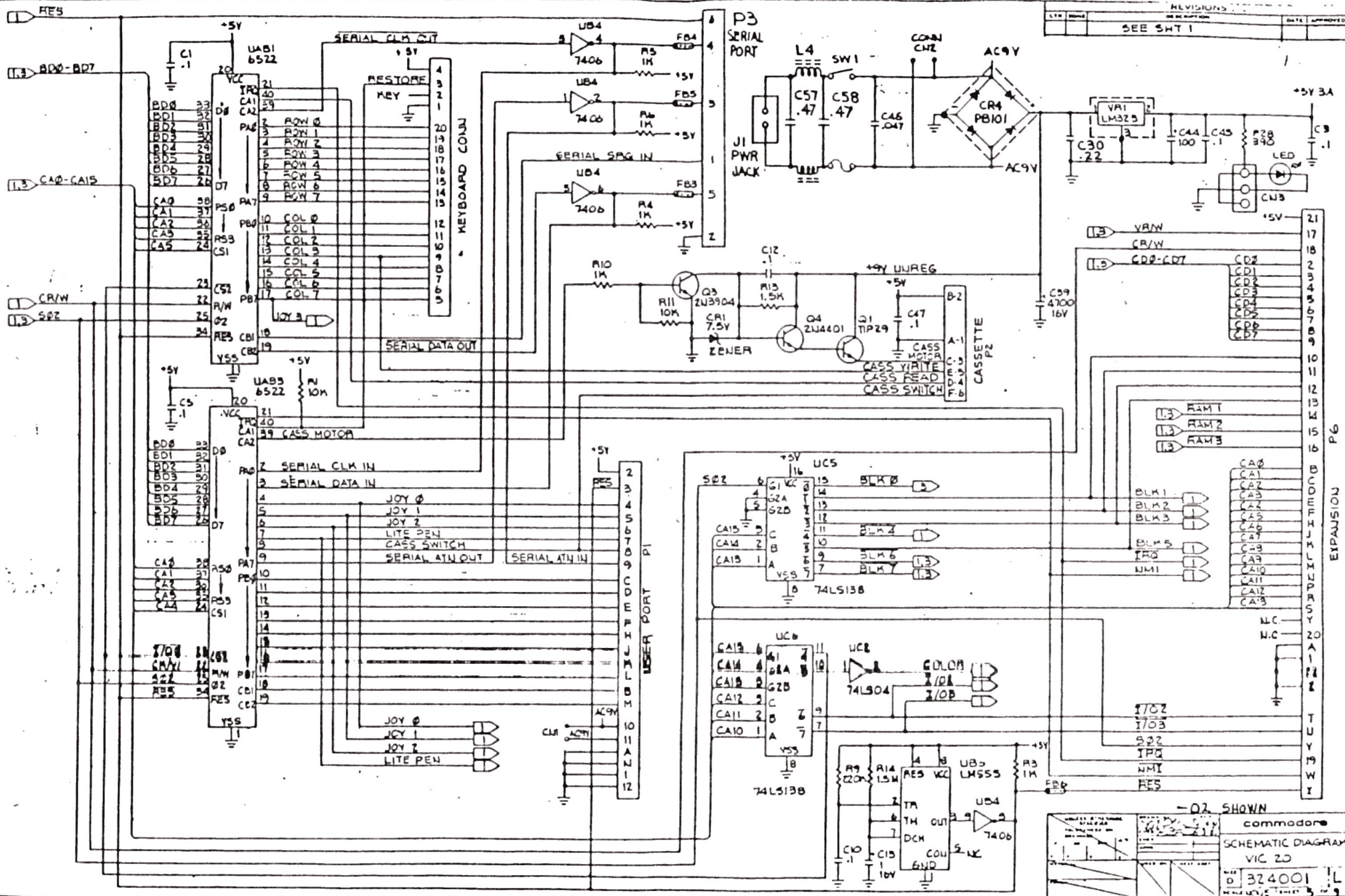
3. SUBSTITUTION OF TRANSISTOR
2. CAPACITANCE VALUES ARE IN MICROFARADS, 50V
1. RESISTANCE VALUES ARE IN OHM, 5% ±

NOTES - UNLESS OTHERWISE SPECIFIED:

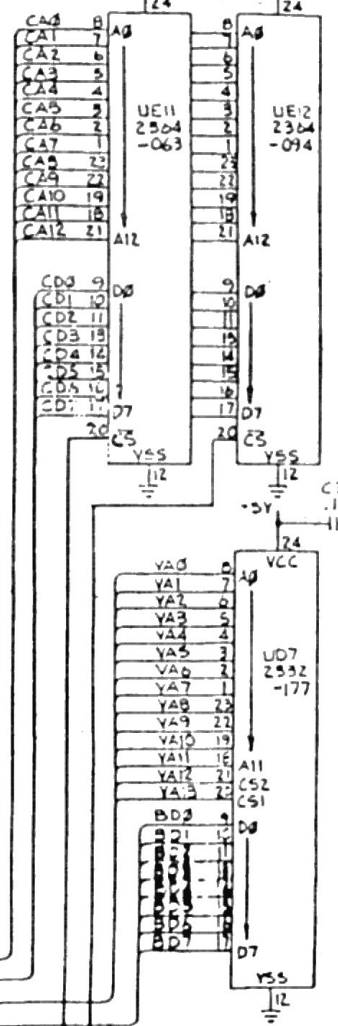
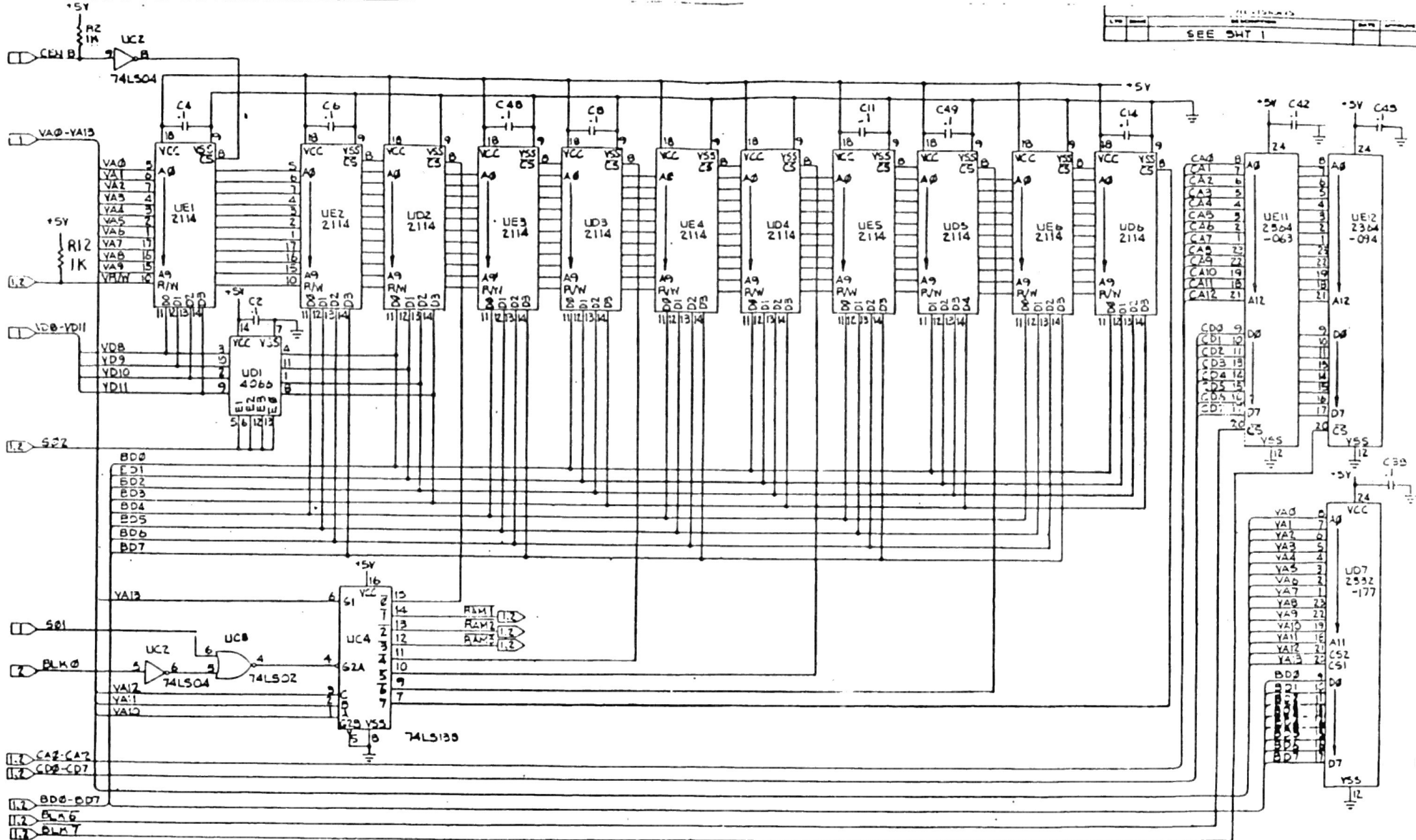


-02 SHOWN UL CONFIGURATION

VIC 20 324005		commodore
VIC 20 324005		SCHEMATIC DIAGRAM
VIC 20 324005		VIC 20
VIC 20 324005		0 324001
VIC 20 324005		4-9



commodore
SCHEMATIC DIAGRAM
VIC 20
D 324001



-02 SHOWN
commodore

SCHEMATIC DIAGRAM
VIC 20
324001 L
6-9